

# **Tanaka** Illustrated Parts Manual

Model Number:

**TBC-430PF**

**PROFESSIONAL BRUSHCUTTER**

P/N 28614

Rev 001

Date 06-01-00



**C.A.R.B. Tier II Certified!**



*Supplier To The Outdoor Power Equipment Industry*

ISM, Inc. • 1028 4<sup>th</sup> Street SW • Auburn, WA 98001 • Phone: (253) 333-1200 • Fax: (253) 333-1212

**30% More Fuel Efficient**

**TBC-430PF**

Low Emission Trimmer / Brush Cutter

**C.A.R.B. Tier II  
CERTIFIED**



## Features / Benefits

- **40cc, 2.2 hp low emission engine** provides outstanding performance while reducing emissions by 70 percent and **increasing** fuel efficiency by 30 percent.
- **Increased fuel efficiency** saves up to \$150/yr in gas and oil costs, and increases productivity.
- **BRAIN® automatic cutting head** comes with **33 ft** of .130 copolymer cutting line and it is simple to disassemble. The BRAIN senses when more line is needed and always feeds out the perfect length.
- **Bearing supported, solid steel drive shaft** provides smooth and efficient power transfer from the engine to the cutting head.
- **1 / 2 / 5 Warranty Coverage** provides **One-Year** coverage for professionals, **Two-Year** Coverage for Homeowners, and **Five Years** on the Electronic Ignition Module.

### Specifications

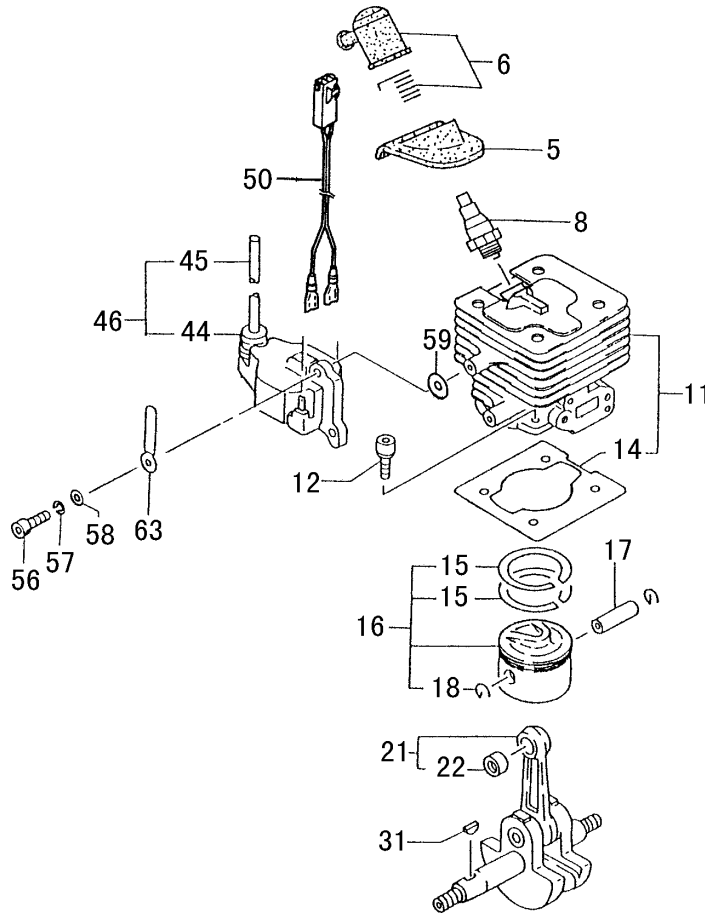
Engine Displacement cc (cu. in.)	40 (2.4)
Power (h.p.)	2.2
Cylinder	Chrome Plated, Stress Relieved
Carburetion	Walbro Diaphragm
Ignition System	Transistorized Electronic
Fuel Tank Capacity / fl. oz. (cc)	33.8 (1000)
Anti-Vibration	Engine Mount
Clutch System	Heavy-Duty Centrifugal
Shaft Support	5 Shaft Bearings
Drive System	7mm Solid Steel Shaft
Standard Cutting Head	BRAIN Automatic Feed (.130" Line)
Standard Cutting Blade	9" - 80 Tooth Saw Blade
Dry Weight / lbs. (kg) w/head	18.5 (8.4)

### Optional Accessories:

ORDER #	DESCRIPTION
746280	Aluminum fixed line head
746290	Aluminum manual feed head
746353	6" semi-auto head
746191	Single shoulder strap
746291	Deluxe shoulder harness
Varies	Assorted brush & weed blades
TMC-200	Cultivator attachment
Varies	Copolymer Nylon Cutting Line
Varies	Perfect Mix 2-Cycle Engine Oil

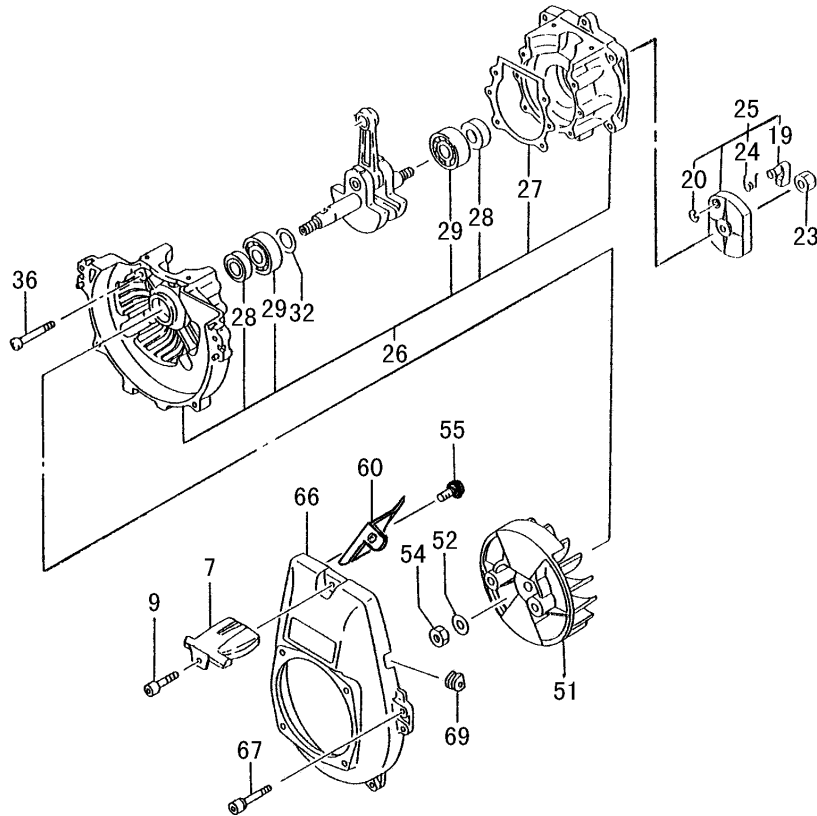
All data and specifications are subject to change without notice  
For more information, contact:

### CYLINDER, PISTON, CRANKSHAFT, IGNITION • FIGURE 1



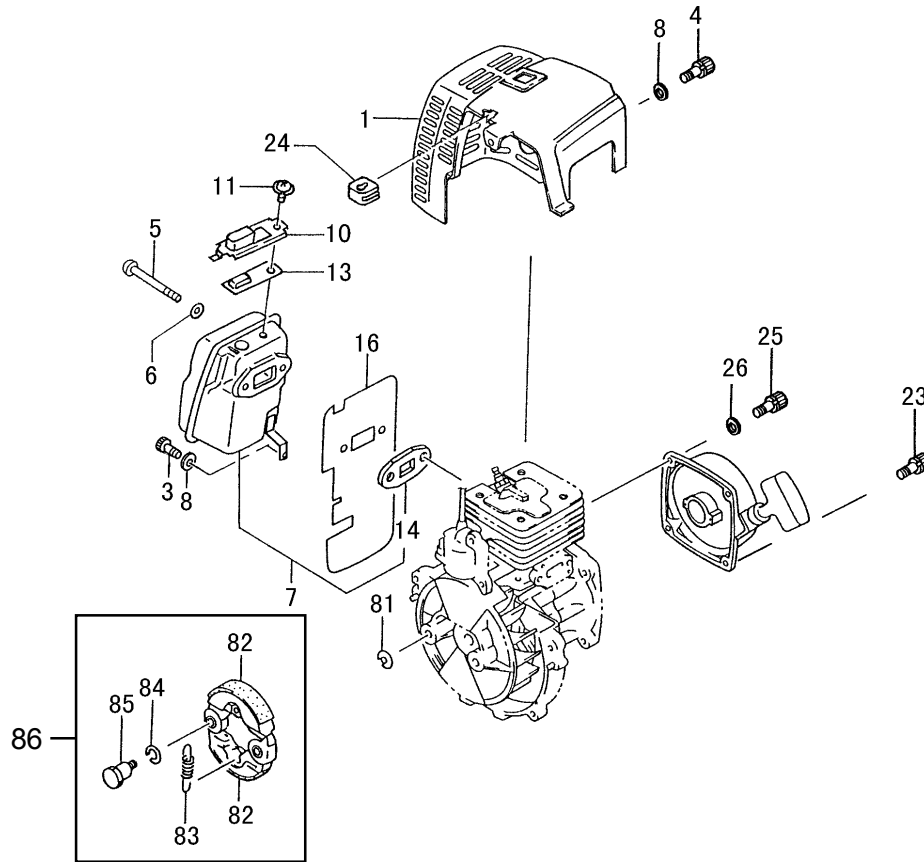
ITEM	PART NUMBER	DESCRIPTION	QTY	COMMENTS
1-5	25504200200	COVER, SPARK PLUG, RUBBER	1	
1-6	15711666900	CAP, SPARK PLUG ASS'Y	1	
1-8	0181166021	PLUG, SPARK	1	
1-11	0010440590	SET, CYLINDER	1	
1-12	99461050204	BOLT, HEX, HOLE, 5X20, S	4	
1-14	0170440020	GASKET, CYLINDER	1	
1-15	04104050200	RING, PISTON	2	
1-16	0300440090	SET, PISTON	1	
1-17	0370100020	PIN, PISTON	1	
1-18	03905004200	CIRCLIP, PISTON PIN	2	
1-21	0460440080	CRANKSHAFT	1	
1-22	99962101004	BEARING, NEEDLE, F1010B	1	
1-31	06802000200	KEY, WOODRUFF, 3X13X5	1	
1-44	56020517200	CAP, RUBBER	1	
1-45	1782054320	CORD, HIGH TENSION	1	
1-46	1672054390	IGNITION ASSY	1	
1-50	1910440590	CORD, STOP	1	
1-56	99011040182	SCREW 4X18	2	
1-57	99210040012	WASHER, S, 4	2	
1-58	99200040011	WASHER, 4	2	
1-59	1820186A201	WASHER, SPECIAL	2	
1-63	19805015800	CLAMP, CORD	1	

### CRANKCASE, FLYWHEEL, FAN CASE, PAWLS • FIGURE 2

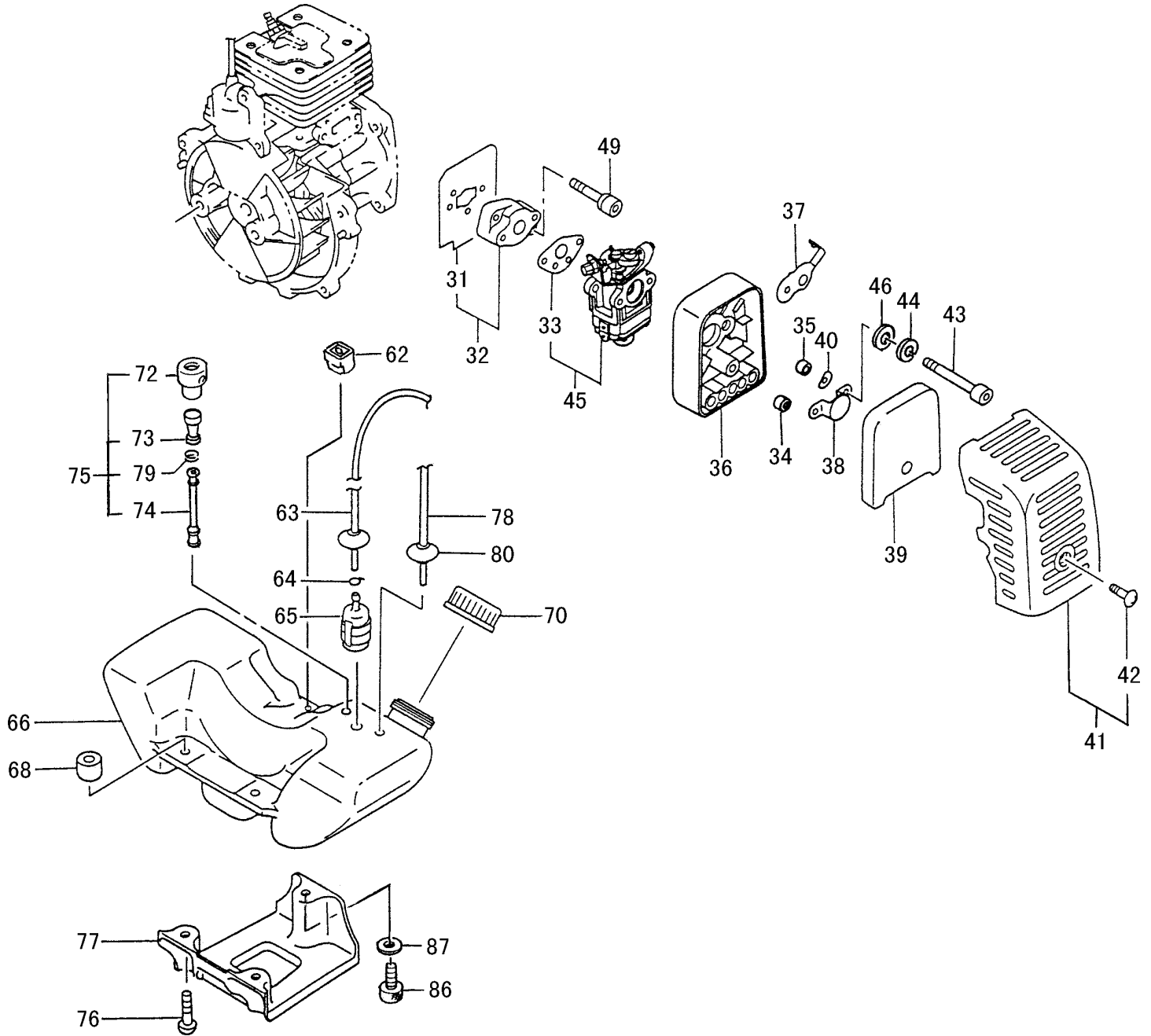


ITEM	PART NUMBER	DESCRIPTION	QTY	COMMENTS
2-7	2570440020	PROTECTOR	1	
2-9	99463050204	BOLT, HEX 5X20	1	
2-19	7880162V20	PAWL, STARTER	1	
2-20	99355050000	RING, STOP, 5	1	
2-23	99111100013	NUT, 10	1	
2-24	7900162V200	SPRING, PAWL, STARTER	1	
2-25	7980422090	PAWL, STARTER ASS'Y	1	
2-25	0720440090	CRANKCASE	1	S/N ~U207704
2-26	0720440091	CRANKCASE	1	S/N U207705~
2-27	0900440020	GASKET, CRANKCASE	1	
2-28	99966152511	SEAL, OIL, #VE15X25X7	2	
2-29	99961620200	BEARING, BALL, #6202	2	
2-32	07102007200	SHIM, 15.2X20X.05	V	Shims are "as needed" for correct
2-32	07102007210	SHIM, 15.2X20X.10	V	side clearance
2-32	07102007220	SHIM, 15.2X20X.15	V	
2-32	07111600230	SHIM, 16X21X.20	V	
2-32	07111600240	SHIM, 16X21X.30	V	
2-36	99461050304	BOLT, HEX, 5X30S	4	
2-51	1552053880	ROTOR, MAGNETO	1	
2-52	99201100011	WASHER, 10	1	
2-54	99101100011	NUT, 10	1	
2-55	99414050101	SCREW, S, 5X10	1	S/N U112241~
2-60	1320440020	DEFLECTOR, AIR	1	S/N U112241~
2-66	1120440021	CASE, FAN	1	
2-67	99461050204	BOLT, HEX, HOLE, 5X20, S	4	
2-69	20311660200	GROMMET, PRIMARY CORD	1	

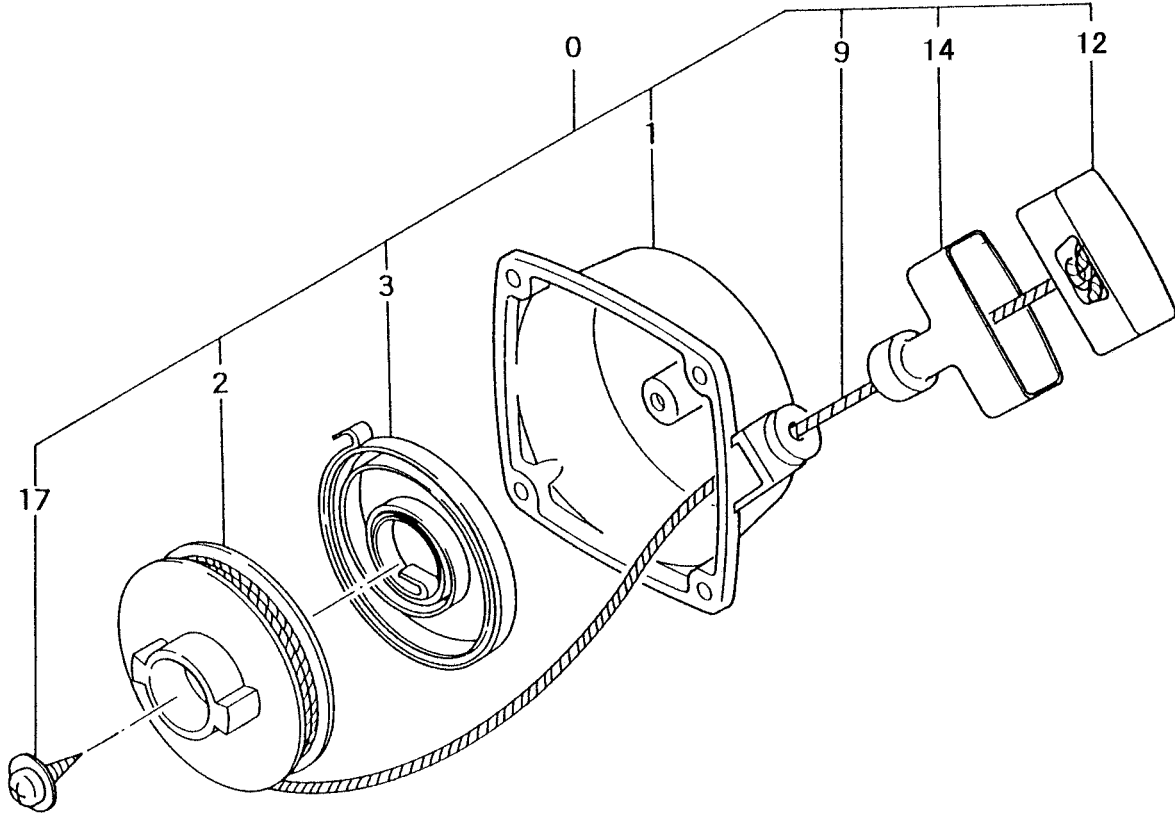
### MUFFLER, ENGINE COVER, CLUTCH • FIGURE 3



ITEM	PART NUMBER	DESCRIPTION	QTY	COMMENTS
3-1	7380440A21	PROTECTOR,MUFFLER	1	
3-3	99461050124	BOLT,HEX,5X12S	1	
3-4	99461050164	BOLT,HEX,5X16,S	1	S/N ~U207704
3-5	99053060653	SCREW,HEX,6X65	2	
3-6	99201060011	WASHER,6	2	
3-7	7040440090	SET,MUFFLER	1	
3-8	99201050061	WASHER,5	2	
3-10	7210440020	PIPE,TAIL	1	
3-11	99434040081	SCREW,4X8/S	1	
3-13	7320440020	ARRESTER,SPARK	1	
3-14	73704230200	GASKET,MUFFLER	1	
3-16	1330440020	SHIELD,HEAT	1	
3-23	99463050204	BOLT, HEX 5X20	2	
3-24	2030604A202	GROMMET	1	
3-25	99464050254	BOLT,HEX HOLE,5X25WS	2	
3-26	99201050061	WASHER,5	2	
3-81	35910112203	WASHER,CLUTCH B	2	
3-82	2900420081	SHOE,CLUTCH	2	
3-83	34204200200	SPRING,CLUTCH	1	
3-84	99204100030	WASHER,WAVE,10	2	
3-85	35704201200	BOLT,CLUTCH STEP	2	
3-86	30790	CLUTCH ASS'Y	1	

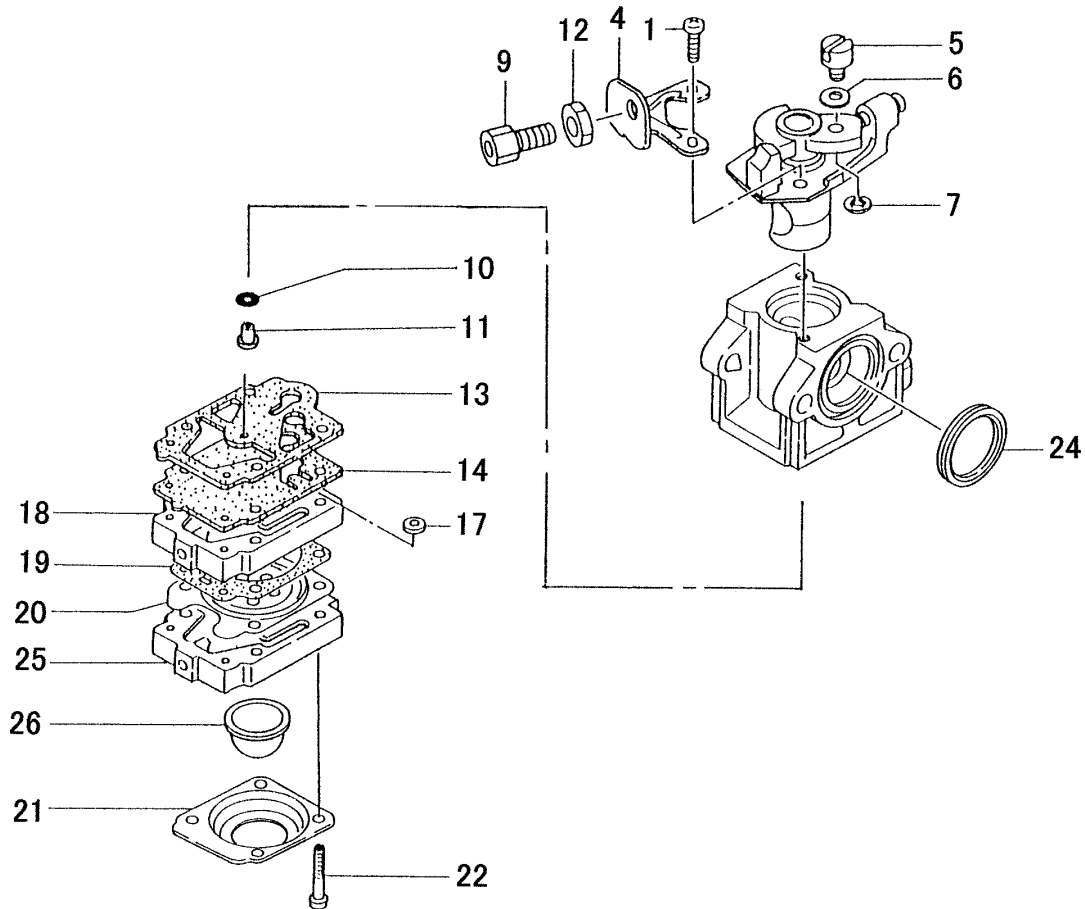


ITEM	PART NUMBER	DESCRIPTION	QTY	COMMENTS
4-31	4030430020	GASKET,INLET MANIFOLD	1	
4-32	4040430090	SET,CARB INSULATOR	1	
4-33	4020430020	GASKET,CARBURETOR	1	
4-34	4530637C200	COLLAR	1	
4-35	4700138020	COLLAR,CLEANER	1	
4-36	4230138082	BODY,CLEANER	1	
4-37	5280138021	VALVE,CHOKE	1	
4-38	47601700200	BOARD,BLOW OVER CHECK	1	
4-39	4460138020	ELEMENT,CLEANER	1	
4-40	99204080030	WASHER,8	1	
4-41	4520138091	COVER,CLEANER,ASSY	1	
4-42	3800637C200	BOLT,CLEANER COVER	1	
4-43	99011050602	SCREW,5X60	2	
4-44	99210050012	WASHER,S,5	2	
4-45	4550440090	SET,CARBURETOR	1	
4-46	78600601200	WASHER,RECOIL STARTER	2	
4-49	99416050252	SCREW,5X25WS	2	
4-62	6490168020	COLLAR,TANK FIXING	1	S/N U207705~
4-63	22301251901	PIPE,FUEL,3X5X230	1	
4-64	68000731201	CLIP 6.3	1	
4-65	67501630900	FILTER,FUEL	1	
4-66	5910440021	TANK,FUEL	1	
4-68	6590430020	COLLAR,C	3	
4-70	5950656B90	CAP,FUEL BLACK,NON VENT	1	
4-72	5610007020	COVER,AIR VENT	1	
4-73	6460661290	VALVE	1	
4-74	5650440020	PIPE,AIR VENT	1	
4-75	5640661190	VENT,AIR ASS'Y	1	
4-76	99463050204	BOLT, HEX 5X20	3	S/N ~U207704
4-76	99463050204	BOLT, HEX 5X20	2	S/N U207705~
4-77	9400430020	STAND,ENGINE	1	
4-78	70003005100	PIPE,FUEL,3X5X100	1	
4-79	68000206200	CLIP,5.5	1	
4-80	22206300200	GROMMET,FUEL PIPE	1	
4-86	99461050304	BOLT,HEX,5X30S	1	S/N U207705~
4-87	99201050061	WASHER,5	1	S/N U207705~



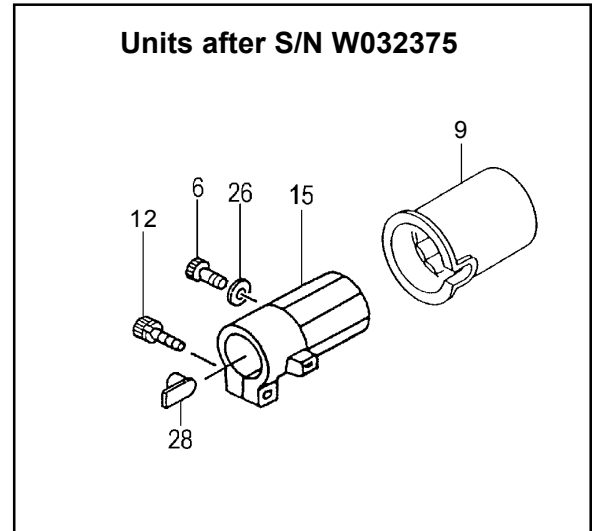
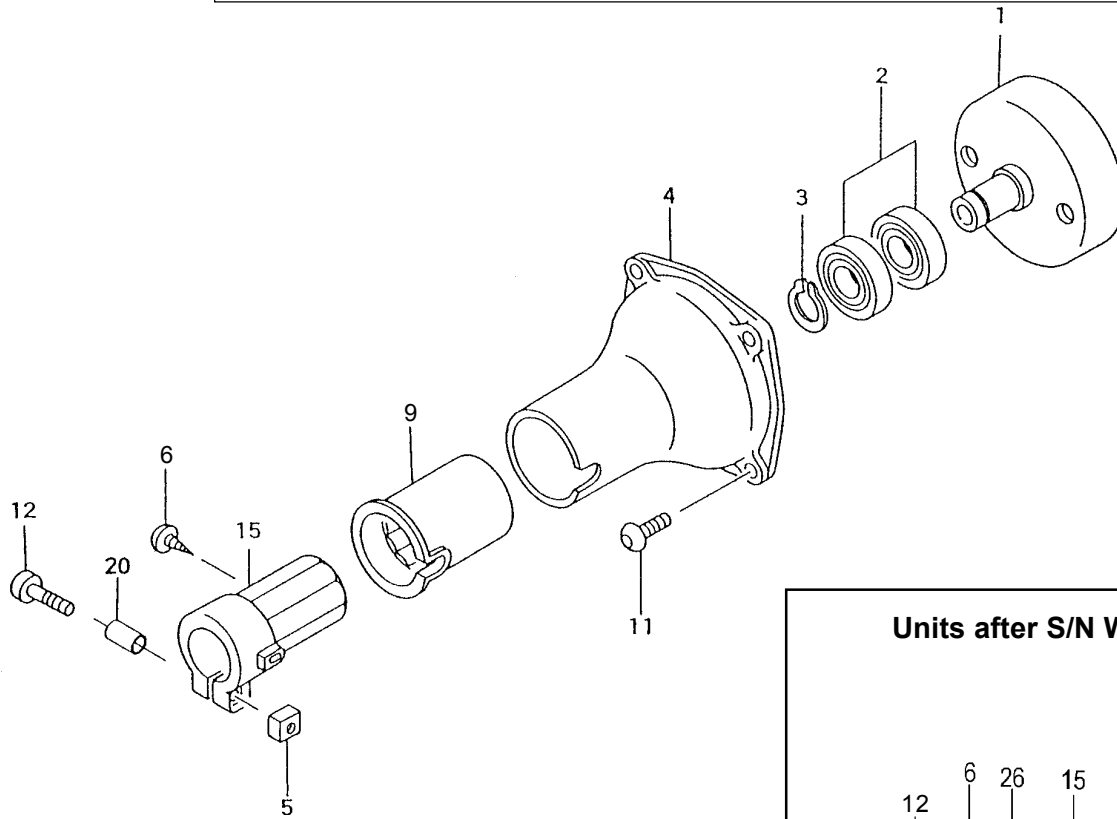
ITEM	PART NUMBER	DESCRIPTION	QTY	COMMENTS
5-0	7620422090	STARTER,RECOIL ASS'Y	1	
5-1	7720422080	BODY,RECOIL STARTER	1	
5-2	7690422020	REEL,STARTER ROPE	1	
5-3	7790422020	SPRING,RECOIL	1	
5-9	7830422020	ROPE,STARTER	1	
5-12	8350422020	CAP,HANDLE	1	
5-14	7850422020	HANDLE,STARTER	1	
5-17	8390422020	SCREW,SET	1	



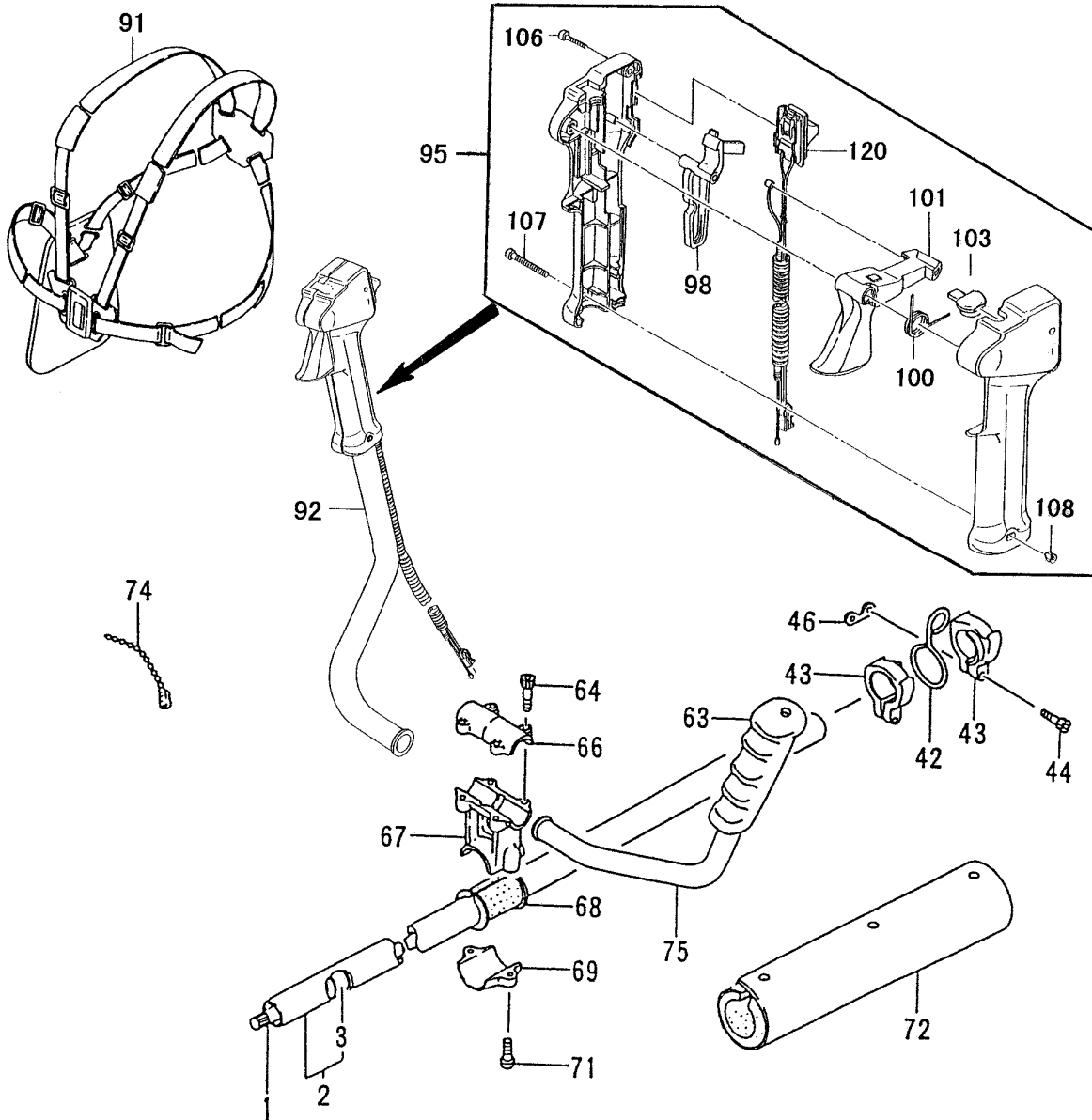


ITEM	PART NUMBER	DESCRIPTION	QTY	COMMENTS
6-0	4550440090	SET,CARBURETOR	1	
6-1	51425100200	SCREW,THROTTLE SET	2	
6-4	54425164200	STAY,ADJUST,CABLE	1	
6-5	53925120200	SWIVEL	1	
6-6	5492516520	WASHER,THRUST	1	
6-7	48925100200	RING,STOP	1	
6-9	61425137200	ADJUSTER,CABLE	1	~ Contained in Carb Repair Kit
6-10	55025100200	O-RING	1	P/N 650-25124-900
6-11	5992001W44	MAIN JET #44	1	(not available individually)
6-12	99101060013	NUT,6	1	
6-13	~ ~ ~	GASKET,PUMP	1	
6-14	~ ~ ~	DIAPHRAGM,PUMP	1	
6-17	57825007200	SCREEN,INLET	1	
6-18	5752515380	BODY,PUMP	1	
6-19	~ ~ ~	GASKET,DIAPHRAGM	1	
6-20	~ ~ ~	DIAPHRAGM,METERING	1	
6-21	4762515120	COVER,DIAPHRAGM	1	
6-22	5482515120	SCREW,SET	4	
6-24	4310634C200	GASKET,CLEANER	1	
6-25	4422515180	PUMP,PRIMING	1	
6-26	44725108200	BULB,PRIMING	1	

### CLUTCH CASE • FIGURE 7

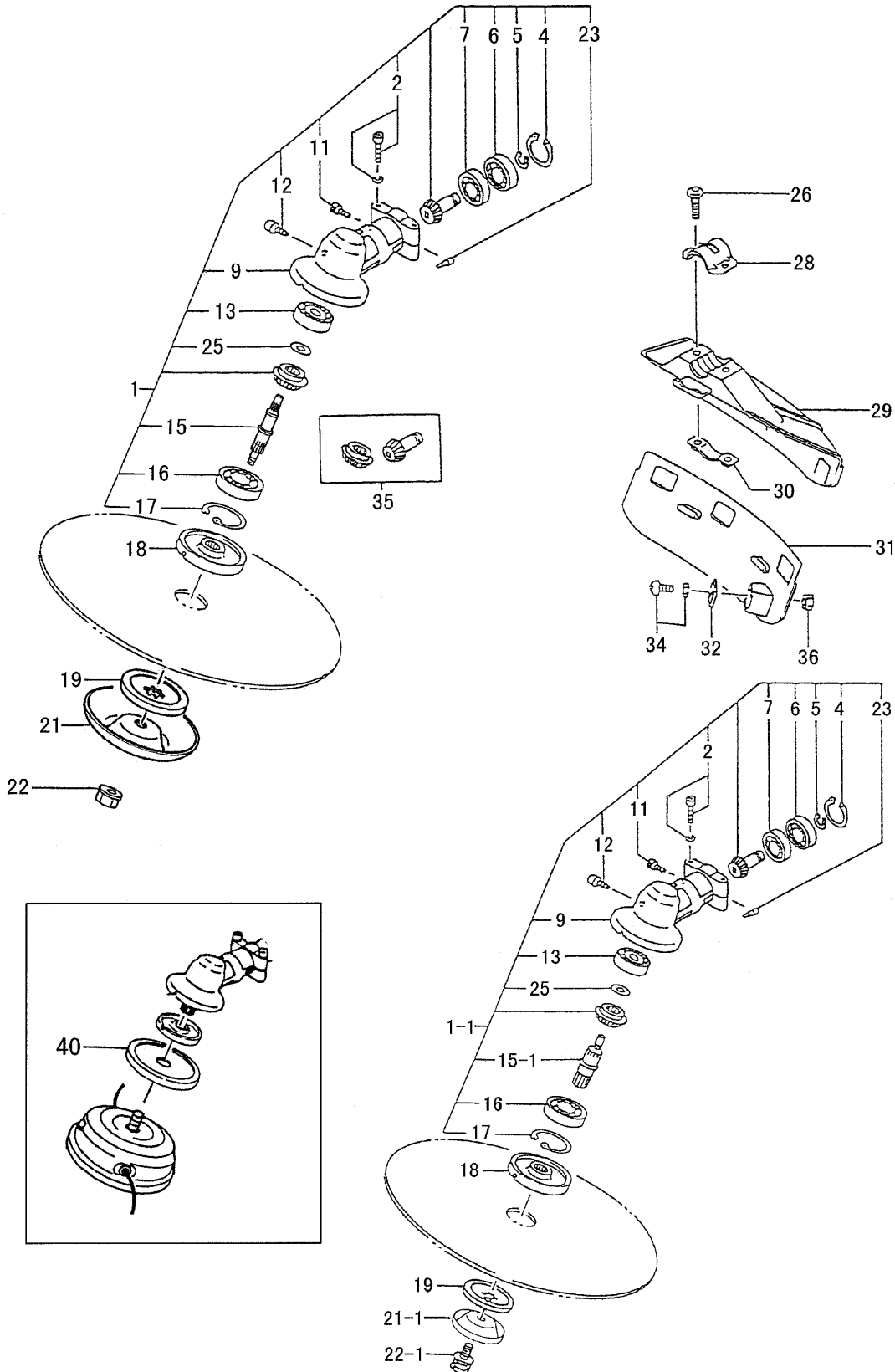


ITEM	PART NUMBER	DESCRIPTION	QTY	COMMENTS
7-1	2890430080	SHAFT,CLUTCH	1	
7-2	99961620202	BEARING,BALL,#6202Z	2	
7-3	99350015002	RING,STOP,C-15 EX	1	
7-4	3310430020	CASE,CLUTCH	1	
7-5	99191050001	NUT,5	1	S/N ~W032374
7-6	99074045164	SCREW,TAPPING 4.5x16	1	S/N ~W032374
7-6	99051050163	BOLT,HEX,5X16	1	S/N W032375~
7-9	5990430020	RUBBER,CUSHION	1	
7-11	99053060203	BOLT,HEX,6X20	4	
7-12	99054050253	BOLT,HEX 5x25	1	
7-15	3600430020	HOLDER,PIPE	1	S/N ~W032374
7-15	3600430021	HOLDER,PIPE	1	S/N W032375~
7-20	0960430020	COLLAR 6.3x18	1	S/N ~W032374
7-26	99201050061	WASHER,5	1	S/N W032375~
7-28	3610099020	HOLDER,PIPE	1	S/N W032375~



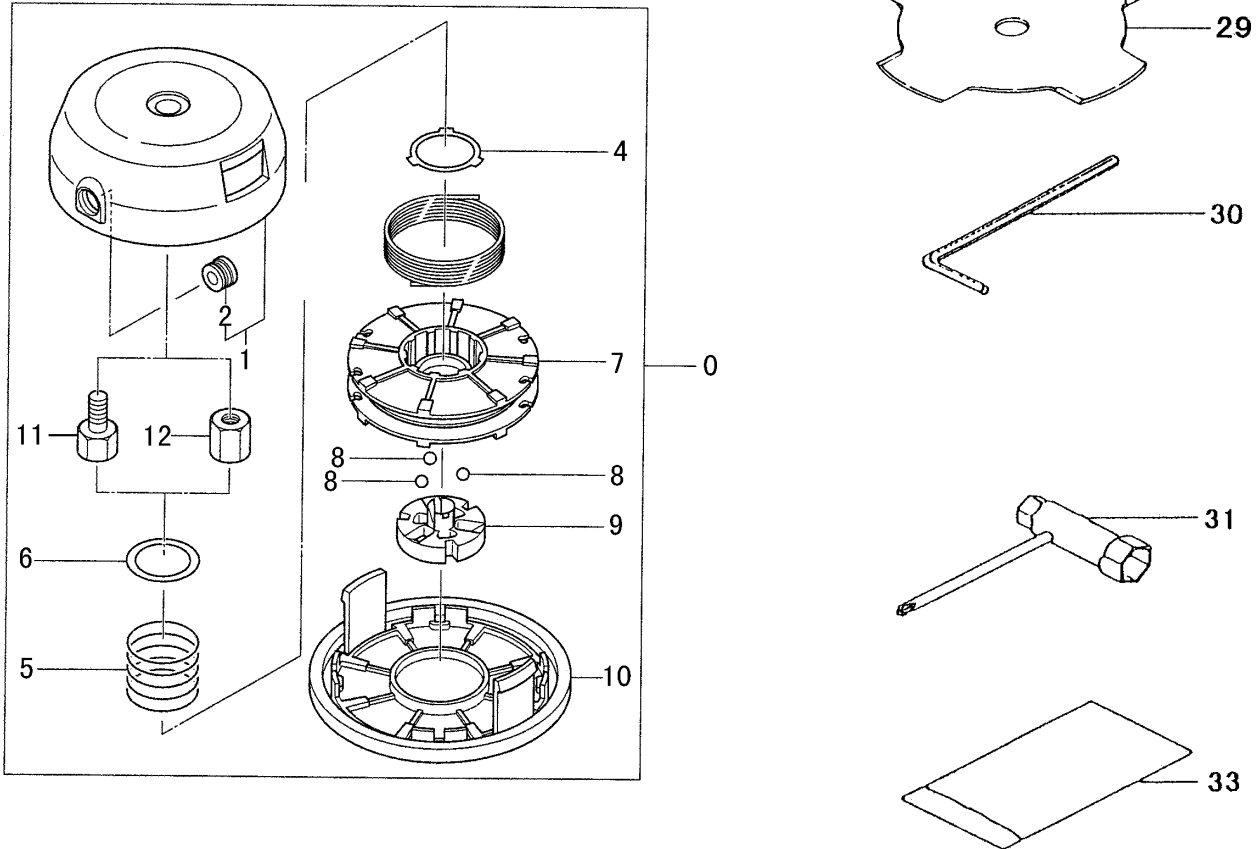
### THROTTLE LEVER, HANDLE, DRIVE SHAFT • FIGURE 8

ITEM	PART NUMBER	DESCRIPTION	QTY	COMMENTS
8-1	3433785020	SHAFT,DRIVE	1	
8-2	3413810080	PIPE,DRIVE SHAFT	1	
8-3	3473785090	BUSHING ASS'Y	5	
8-42	33537307200	METAL,LIFTING	1	
8-43	33437352210	COLLAR,LIFTING METAL	2	
8-44	99462050304	BOLT,HEX HOLE 5x30.P	2	
8-46	31537304200	NUT,SPECIAL	1	
8-63	1653759020	GRIP,HANDLE	1	
8-64	99461050254	BOLT,HEX HOLE,5X25S	4	
8-66	50637623200	BRACKET,HANDLE,A	1	
8-67	50737623200	BRACKET,HANDLE,B	1	
8-68	5103735220	CUSHION,RUBBER	1	
8-69	50837623200	BRACKET,HANDLE,C	1	
8-71	99481060254	SCREW,HEX HOLE 6X25	2	
8-72	3363341182	CUSHION	1	
8-74	4603311120	CLAMP,B	1	
8-75	5023367421	HANDLE,LEFT	1	
8-91	746291	SHOULDER HARNESS ASSY	1	
8-92	5013810220	HANDLE,RIGHT	1	
8-95	8703840190	LEVER,THROTTLE ASSY	1	
8-98	2533840020	LEVER,SAFETY	1	
8-100	8323840020	SPRING,RETURN	1	
8-101	8803840120	LEVER,THROTTLE	1	
8-103	3223840020	GROMMET	1	
8-106	9934604020	SCREW,4X20	2	
8-107	99431050303	SCREW 5X30 BLACK	1	
8-108	99101050043	NUT,5	1	
8-120	8853840180	WIRE,THROTTLE,W/SWITCH	1	

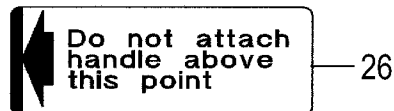
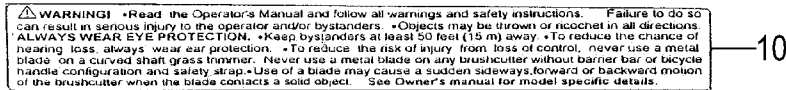
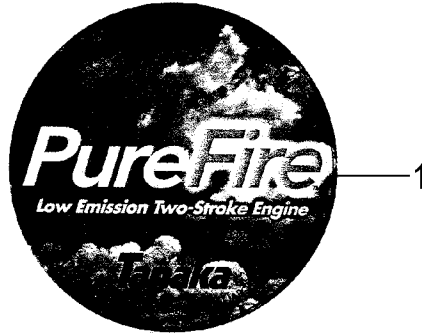


### GEAR CASE, SAFETY GUARD • FIGURE 9

ITEM	PART NUMBER	DESCRIPTION	QTY	COMMENTS
9-1-1	3003713490	CASE,GEAR ASS'Y	1	S/N ~U207704
9-1	3003758790	CASE,GEAR ASS'Y,(26mm)	1	S/N U207705~
9-2	99461050254	BOLT,HEX HOLE,5X25S	2	
9-4	99351024002	RING,STOP,C-24,IN	1	
9-5	99350009002	RING,STOP,C9	1	
9-6	99961609002	BEARING,BALL,#609Z	1	
9-7	99961609000	BEARING,BALL,#609	1	
9-9	3003330B20	CASE,GEAR	1	
9-11	99051050103	BOLT,HEX.HOLE,5X10	1	
9-12	99423080100	BOLT,8X10	1	
9-13	99961628000	BEARING,BALL,#628	1	
9-15-1	3043713420	SHAFT,GEAR	1	S/N ~U207704
9-15	3043810020	SHAFT,GEAR	1	S/N U207705~
9-16	99961620103	BEARING,BALL #6201D	1	
9-17	99351032002	RING,STOP,C-32 IN	1	
9-18	3103810020	HOLDER,CUTTER	1	
9-19	3113810020	CAP,CUTTER HOLDER	1	
9-21-1	30833410200	COVER,PROTECTION,B	1	S/N ~U207704
9-21	3083786120	COVER,BOLT PROTECTOR	1	S/N U207705~
9-22-1	3123338620	BOLT,FIXING,L.H.,FLANGED	1	S/N ~U207704
9-22	3133810020	NUT,FIXING L.H. 10X1.25	1	S/N U207705~
9-23	3243735020	WASHER,GEAR CASE	1	
9-25	0673713420	WASHER,SPECIAL	1	
9-26	99481060254	SCREW,HEX HOLE 6X25	2	
9-28	4423369921	BRACKET,SAFETY GUARD	1	
9-29	4413810020	COVER,SAFETY	1	
9-30	4453738020	HOLDER,GUARD	1	
9-31	4473810020	COVER,GUARD	1	
9-32	7973738021	LIMITER,LINE	1	
9-34	99414050121	SCREW,S,5X12	1	
9-35	3013713400	SET,GEAR PINION	1	
9-36	99101050011	NUT,5	1	
9-40	3073810020	PROTECTOR,WINDING	1	



ITEM	PART NUMBER	DESCRIPTION	QTY	COMMENTS
10-0	7833384090	HEAD,BRAIN,(TH-97L)	1	S/N ~U207704
10-0	7833384290	HEAD,BRAIN (TH-97LN)	1	S/N U207705~
10-1	7863384090	BODY,TH-97L,LN	1	
10-2	7883367021	EYELET	2	
10-4	7853384020	BASE,ADJUSTMENT TH97L	1	
10-5	7933391020	SPRING,REEL,SILVER	1	
10-6	79233004200	WASHER,REEL	1	
10-7	7873384020	REEL,TH97L	1	
10-8	6733560020	BALL,STEEL	3	
10-9	7903381020	SLIDER,REEL	1	
10-10	7893384020	CAP,BODY,TH-97L	1	
10-11	3143367020	BOLT,8X1.25 LH GOLD	1	S/N ~U207704
10-12	31533970200	NUT,AQUA,10X1.25,LH	1	S/N U207705~
10-29	746105	BLADE,WEED,10x4,1.6MM,PWB104	1	
10-29	746108	BLADE,10X80,(PSB-180)	1	
10-30	81320000200	WRENCH,HEX,4	1	
10-31	8262000080	SPANNER,COMBI,17X19	1	
10-32	6153722420	COVER,9-10"(SET OF 2)	1	



ITEM	PART NUMBER	DESCRIPTION	QTY	COMMENTS
11-1	9290440020	DECAL,SYMBOL(PF)	1	
11-2	9064810120	DECAL,MODEL,TBC-430PF	1	
11-5	95137503200	DECAL,PRO-FORCE B	1	S/N ~U207704
11-7	9293810020	DECAL,SYMBOL,PF	1	
11-10	9193738F20	DECAL,CAUTION,A	1	
11-18	9233728620	DECAL,LEVEL	1	
11-26	9233738F20	DECAL,LEVEL	1	